

Title of Training	JACKHAMMER SAFETY TRAINING		
Equipment Info.	Make/Type/Size/Model	JACKHAMMER	
Material Needed	Operators Manual		
	Designated area to safely use Jackhammer for assigned tasks.	Covers- Chicago Pneumatic & Sullair MPB-60A- Jackhammer Safety	

JACKHAMMER SAFETY TRAINING



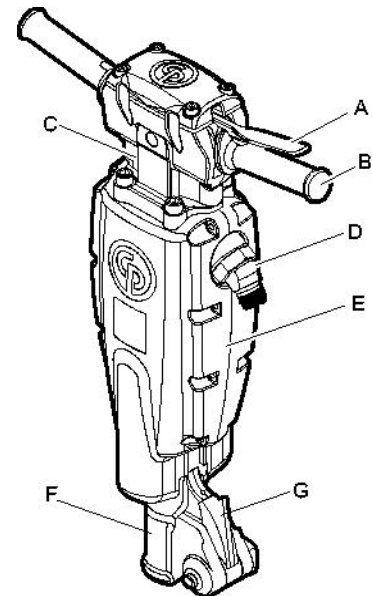
The aim of the instructions is to provide you with knowledge of how to use the Pneumatic breaker in an efficient, safe way. The instructions also give you advice and tell you how to perform regular maintenance on the pneumatic breaker. Before using the pneumatic breaker for the first time you must read these instructions carefully and understand all of them.

Only qualified and trained persons may operate or maintain the machine. They must be physically able to handle the bulk, weight, and power of the tool Always use your common sense and good judgement.

DANGER Whipping air hose

A compressed air hose that comes loose can lash around and cause personal injury or death. To reduce this risk:

- Check that the compressed air hose and the connections are not damaged, replace if necessary.
- Check that all compressed air connections are properly attached.
- Never carry a pneumatic machine by the air hose.
- Never attempt to disconnect a compressed air hose that is pressurized. First switch off the compressed air at the compressor and then bleed the machine by activating the start and stop device.
- Never point a compressed air hose at yourself or anyone else. To avoid the risk of getting injured, never use compressed air to blow for example dust, dirt etc. from your clothes.
- Do not use quick disconnect couplings at tool inlet. Use hardened steel (or material with comparable shock resistance) threaded hose fittings.
- Whenever universal twist couplings (claw couplings) are used, we recommend that lock pins are installed and whip check safety cables are used to safeguard against possible hose to tool and hose to hose connection failure



PRE-OPERATIONAL SAFETY CHECKS

1. Is your work area safe – well lit & no flammable liquids, gases or dust?

Trainee Name (print)		Signature of Trainee	
Instructor Name		Date of Training	
Scan To:	Safety/Training/Equipment/Jackhammer Safety-YYYY-MM-DD		
Revision # 002-15	Page 1 of 6		

Title of Training	JACKHAMMER SAFETY TRAINING	
Equipment Info.	Make/Type/Size/Model	JACKHAMMER
Material Needed	Operators Manual	
	Designated area to safely use Jackhammer for assigned tasks.	Covers- Chicago Pneumatic & Sullair MPB-60A- Jackhammer Safety

2. Has an exclusion zone been established with barricading and appropriate safety signage?
3. Has the location of all underground utilities been established?
4. Are you aware of common overuse injuries - Hearing loss or back pain?
5. Have you inspected the equipment for any obvious mechanical defects?

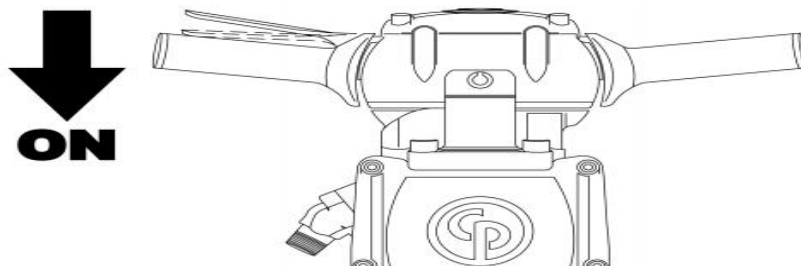
Operation

WARNING Involuntary start

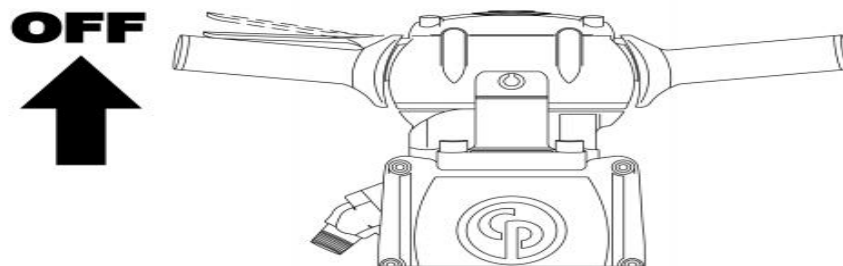
Involuntary start of the machine may cause injury

- Keep your hands away from the start and stop device until you are ready to start the machine.
- Learn how the machine is switched off in the event of an emergency.
- Stop the machine immediately in all cases of power supply interruption

Start and Stop



Start the pneumatic breaker by pressing down the trigger.



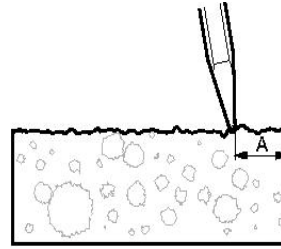
Stop the pneumatic breaker by releasing the trigger. The trigger will automatically return to the stop position.

Trainee Name (print)		Signature of Trainee	
Instructor Name		Date of Training	
Scan To:	Safety/Training/Equipment/Jackhammer Safety-YYYY-MM-DD		
Revision # 002-15	Page 2 of 6		

Title of Training	JACKHAMMER SAFETY TRAINING	
Equipment Info.	Make/Type/Size/Model	JACKHAMMER
Material Needed	Operators Manual	
	Designated area to safely use Jackhammer for assigned tasks.	Covers- Chicago Pneumatic & Sullair MPB-60A- Jackhammer Safety

Starting a Cut

- Stand in a stable position with your feet well away from the inserted tool.
- Press the machine against the working surface before you start.
- Start collaring at such a distance from the edge that the machine is capable of breaking the material without levering.
- Never try to break off too large pieces. Adjust the breaking distance (A) so that the inserted tool does not get stuck.



OPERATIONAL SAFETY CHECKS

DO NOT use faulty equipment - Report this immediately to your

1. Ensure all components, attachments and guards are secure before starting.
2. Know the best way to do the job. Review any operational procedures.
3. Be aware that this power tool is designed to create severe vibration. The hands, arms and legs will quickly tire. Take regular breaks.
4. Always use two hands. Ensure you have a firm footing and are always ready to handle any reaction the tool may make.
5. Operators should be prepared to brace themselves against the high level of torque exerted by the tool.
6. Apply slight pressure on the tool. Pressing very hard will not increase efficiency. Stop operation if the tool bounces around uncontrollably.
7. Do not touch the bit immediately after operation. It may be extremely hot.
8. Do not operate this power tool at no-load unnecessarily.
9. To stop, release the handle grip switch. Turn off and disconnect after use.
10. Never leave this power tool unattended.

This power tool can produce excessive noise levels greater than 105

HOUSEKEEPING

1. Leave the power tool in a safe, clean & tidy state.
2. Stow away correctly. Remove any barricading and safety warning signage.

Trainee Name (print)		Signature of Trainee	
Instructor Name		Date of Training	
Scan To:	Safety/Training/Equipment/Jackhammer Safety-YYYY-MM-DD		
Revision # 002-15			Page 3 of 6

Title of Training	JACKHAMMER SAFETY TRAINING		
Equipment Info.	Make/Type/Size/Model	JACKHAMMER	
Material Needed	Operators Manual		
	Designated area to safely use Jackhammer for assigned tasks.	Covers- Chicago Pneumatic & Sullair MPB-60A- Jackhammer Safety	

POTENTIAL HAZARDS

- Moving, rotating & sharp parts
- Pinch & squash
- Slips, trips & falls
- Excessive noise
- Dust & fumes (including crystalline silica)
- Eye injuries
- Ejected material
- High pressure air hose couplings
- Manual handling – including vibration, duration & excessive force
- Loss of control of equipment

FORBIDDEN

- Never operate on a continuous or repetitive basis. Always take multiple breaks.

This Safety Training Topic (STT) does not necessarily cover all possible hazards associated with this equipment and should be used in conjunction with equipment manual. It is designed as a guide to be used to compliment training in the field at Brieser Construction and as a reminder to users prior to equipment use.

Trainee Name (print)		Signature of Trainee	
Instructor Name		Date of Training	
Scan To:	Safety/Training/Equipment/Jackhammer Safety-YYYY-MM-DD		
Revision # 002-15	Page 4 of 6		

Title of Training	JACKHAMMER SAFETY TRAINING		
Equipment Info.	Make/Type/Size/Model	JACKHAMMER	
Material Needed	Operators Manual		
	Designated area to safely use Jackhammer for assigned tasks.	Covers- Chicago Pneumatic & Sullair MPB-60A- Jackhammer Safety	

EMPLOYEE NAME (Print or Type)	EMPLOYEE SIGNATURE	TRADE	JOB TITLE
1.			
2.			
3.			
4.			
5.			
6.			
7.			
8.			
9.			
10.			
11.			
12.			
13.			
14.			
15.			
16.			

Trainee Name (print)		Signature of Trainee	
Instructor Name		Date of Training	
Scan To:	Safety/Training/Equipment/Jackhammer Safety-YYYY-MM-DD		
Revision # 002-15	Page 5 of 6		

Title of Training	JACKHAMMER SAFETY TRAINING		
Equipment Info.	Make/Type/Size/Model	JACKHAMMER	
Material Needed	Operators Manual		
	Designated area to safely use Jackhammer for assigned tasks.	Covers- Chicago Pneumatic & Sullair MPB-60A- Jackhammer Safety	

17.			
-----	--	--	--

Trainee Name (print)		Signature of Trainee	
Instructor Name		Date of Training	
Scan To:	Safety/Training/Equipment/Jackhammer Safety-YYYY-MM-DD		
Revision # 002-15	Page 6 of 6		